



Accessories for 3KC0 SZ 3 Direct operating mechanism, gray with cover for 3KC0 SZ3 3 and 4-pole contains 1 unit

Model	
product brand name	SENTRON
product designation	Accessories for transfer switching equipment
design of the product	Direct operating mechanism
type of the driving mechanism	MANUAL OPERATING MECHANISM
protection class IP on the front	IP30
Suitability	
suitability for use	For 3KC MTSE, size 3
Appearance	
color of the actuating element	gray
display version for switch position indicator	I-O-II
Mechanical Design	
height	100 mm
width	116 mm
depth	77 mm
Approvals Certificates	
General Product Approval	Declaration of Conformity

[Confirmation](#)

[Miscellaneous](#)



Test Certificates	Marine / Shipping	other
-------------------	-------------------	-------

[Type Test Certificates/Test Report](#)



[Miscellaneous](#)

[Confirmation](#)

Further information

Siemens has decided to exit the Russian market (see here).
<https://press.siemens.com/global/en/pressrelease/siemens-wind-down-russian-business>

Siemens is working on the renewal of the current EAC certificates.
 Please contact your local Siemens office on the status of validity of the EAC certification if you intend to import or offer to supply these products to an EAC relevant market (other than the sanctioned EAEU member states Russia or Belarus).

Information on the packaging
<https://support.industry.siemens.com/cs/ww/en/view/109813875>

Information- and Downloadcenter (Catalogs, Brochures,...)
<http://www.siemens.com/lowvoltage/catalogs>

Industry Mall (Online ordering system)
<https://mall.industry.siemens.com/mall/en/en/Catalog/product?mifb=3KC9301-1>

Service&Support (Manuals, Certificates, Characteristics, FAQs,...)

<https://support.industry.siemens.com/cs/ww/en/ps/3KC9301-1>

Image database (product images, 2D dimension drawings, 3D models, device circuit diagrams, ...)

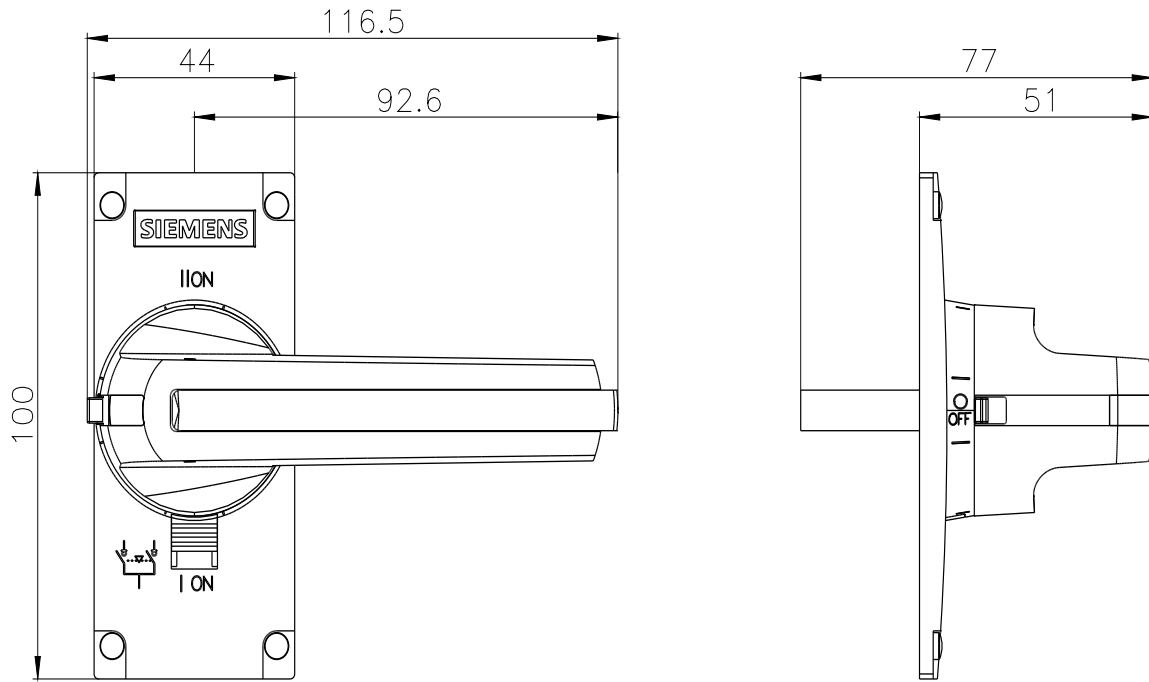
http://www.automation.siemens.com/bilddb/cax_en.aspx?mlfb=3KC9301-1

CAx-Online-Generator

<http://www.siemens.com/cax>

Tender specifications

<http://www.siemens.com/specifications>



last modified:

7/23/2021

